

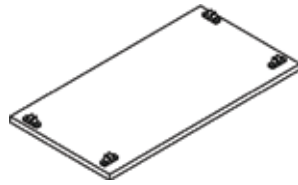
OBC - DKTA XX + XX

18-0109

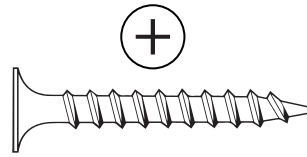
PARTS



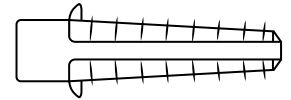
A



x 4
B

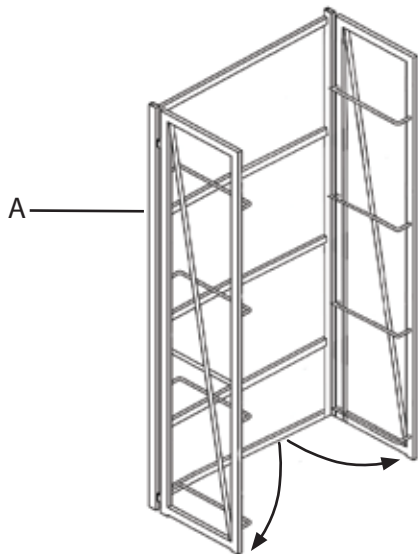


(4x40mm)
x 2
C

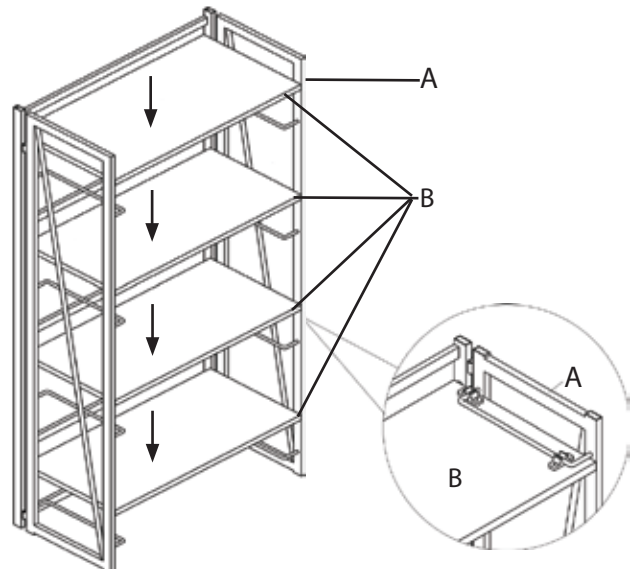


(8x35mm)
x 2
D

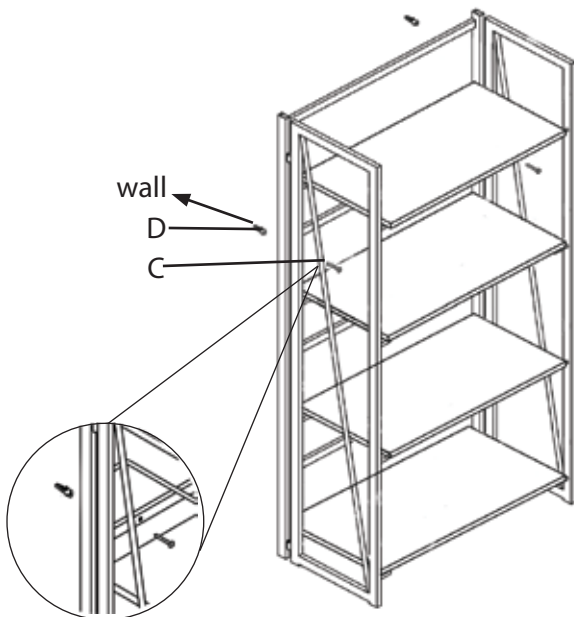
1



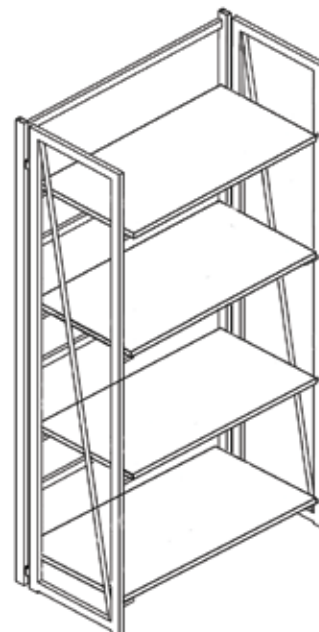
2




3



4



 Do not over tighten.
 Do not use power tools to assemble.